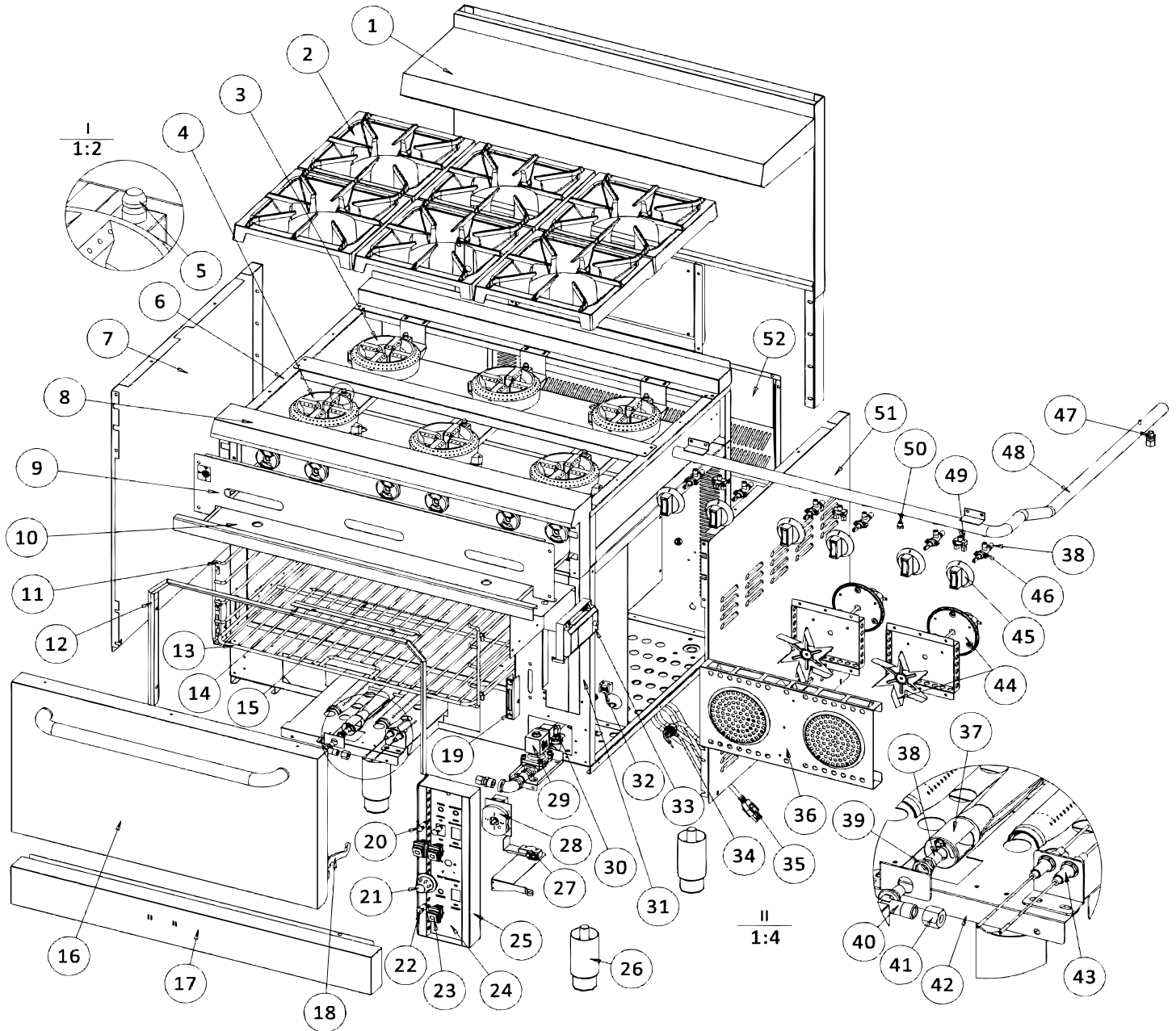


# Parts Breakdown

Model CE-CN-0914-RC 47449





# Parts Breakdown

## Model CE-CN-0914-RC 47449

Item No.	Description	Position	Item No.	Description	Position	Item No.	Description	Position
AJ571	Top Burner Grate for 47449	2	AJ583	Fascia Panel for 47449	24	AJ595	Oven Nozzle for 47449	38
AJ572	Long Burner Assembly for 47449	3	AJ584	Stainless Steel Adjustable Leg for 47449	26	AJ596	Flat Nut for 47449	39
AJ573	Short Burner Assembly for 47449	4	AH179	Swivel Caster for 47449	26a	AJ597	Nozzle Connecting Elbow for 47449	40
AJ574	Pilot for 47449	5	AJ585	Travel Switch for 47449	27	AJ598	Elbow Nut for 47449	41
AJ575	Oven Baking Grid Shelf for 47449	11	AJ586	Oven Digital Thermostat for 47449	28	AJ599	Electrode for 47449	43
AJ576	Oven Baking Grid for 47449	13	AJ587	Solenoid Valve for 47449	29	AJ600	Motor Assembly for 47449	44
AJ577	Thermostat Sensor for 47449	15	AJ588	1/2-10 Pipe Connector for 47449	30	AJ601	Top Burner Knob for 47449	45
AJ578	Oven Door Hinge (Insert to the Door) for 47449	18	AJ589	Terminal Block for 47449	32	AJ602	Top Burner Control Valve for 47449	46
AJ579	Oven Door Hinge Bracket for 47449	19	AJ590	Ignitor for 47449	33	AJ603	1/4-10 Pipe Connector for 47449	47
AJ580	Oven Power Indicator for 47449	20	AJ591	Power Cord Sheath for 47449	34	AJ604	Pilot Valve for 47449	49
AJ581	Oven Thermostat Valve Knob for 47449	21	AJ592	Power Cord for 47449	35	AJ605	Test Plug for 47449	50
AD711	Working Indicator for 47449	22	AJ593	Air Deflector Assembly for 47449	36			
AJ582	Power Switch for 47449	23	AJ594	Oven Burner for 47449	37			